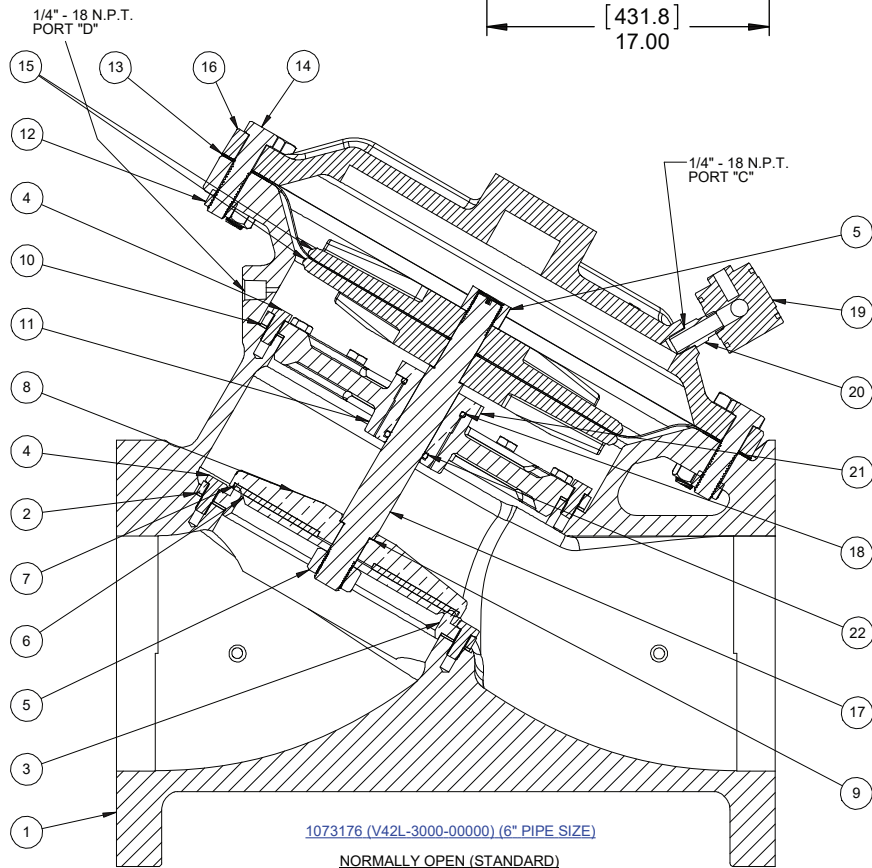
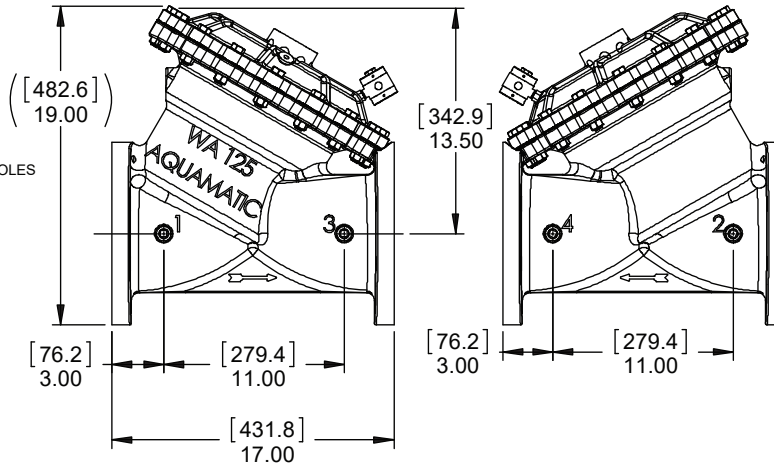
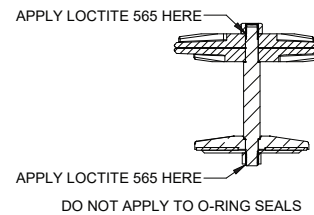


AMERICAN FLANGE PER A.S.A. 16.1 CLASS 125



ITEM NO.	DESCRIPTION	STD	PART NUMBER	QTY.
1	VALVE BODY, 429, CI	*	1074613	1
2	GASKET, 429, SEAT, BUNA	*	1074642	1
	GASKET, 429, SEAT, VITON		1074643	1
3	LOWER, SEAT, BRASS	*	1074640 (429-MO)	1
4	SCREW, HEX HD, CAP, 5/16-18,SS	*	1072355	20
5	NUT, 3/4-16, SS	*	3001991	2
6	PLATE,DISC,429,BRASS,MACH	*	1074634 (429-K)	1
7	DISC, 429, VITON		1074633	1
	DISC, 429, HYCAR	*	1074632 (429-J)	1
8	RETAINER, DISC	*	1074627 (429-H)	1
9	GASKET, COPPER, 110-CDA	*	1073952	2
	GASKET, CENTERING PLATE,BUNA	*	1074644 (429-O)	1
	GASKET, CENTERING PLATE,VITON		1074645	1
11	SHAFT GUIDE,429,CI,MCHD	*	1074625 (429-GO)	1
12	NUT, 1/2-13, PLATED	*	16568-02	16
13	DIAPHRAGM, 429, BUNA	*	1074622 (429-FB)	1
	DIAPHRAGM, 429, FKM		1074623	1
14	SCREW, HEX HD, CAP,	*	1072410	16
15	PLATE,DIAPHRAGM,429,BRASS,MCHD	*	1074620 (429-D)	2
16	CAP, 429	*	1074615 (429-C)	1
17	SHAFT, 429 MACHINING DRAWING	*	1074636 (429-L)	1
18	O-RING (NITRILE), 2-223	*	1071703 (ORB-223)	1
	O-RING, -223, FKM		1071820	1
19	HUMPHREY VALVE N.C. BRASS,	*	1074661 (429-VP)	1
20	FITTING, NIPPLE 1/4MNPTX1.38	*	1081648	1
21	GUIDE, SHAFT, 429, BRS	*	1074646 (429-P)	1
22	O-RING (NITRILE),	*	1242721	1
23	MALE PIPE PLUG, 1/4 NPT	*	1071918 (PLZ-0008)	4

REPAIR PARTS KITS		
DESCRIPTION	PART NO.	
DIAPHRAGM & SEALS KIT CONSISTS OF ITEM NO'S 2, 5(2), 8, 10(2), 11, 14, 19, 23	1070074 (429-RA)	1070099 (429-RAV)
	BUNA N INCLUDES DIAPHRAGM 1074622 (429-FB)	FKM INCLUDES DIAPHRAGM 1074623 (429-FV)
INT. PARTS KIT (NORM. OPEN) CONSISTS OF STANDARD ITEM NO'S 4, (12)6, 7, 9, 12, 16(2), 18, 22	1074653 (429-RF)	
SEAT ITEM NO. 3, 4(8)	1074640 (429-MO)	

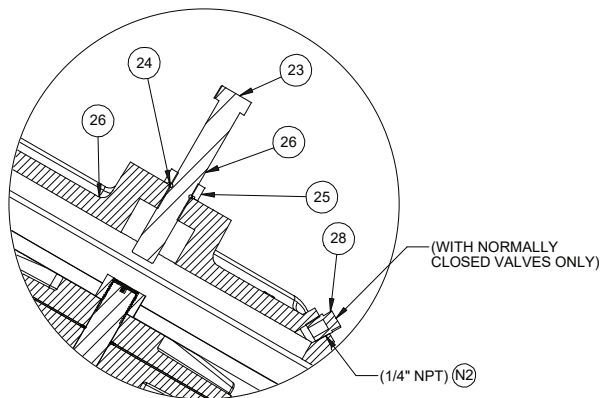


NOTE:  
1. AMERICAN NATIONAL STANDARD TAPER PIPE THREADS (NPT) PER ANSI B2.1 - 1968

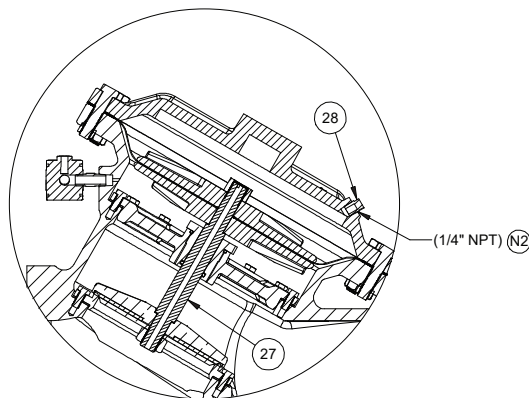
SEE REVERSE SIDE FOR CONFIGURATION OPTIONS

COMPONENTS / ASSEMBLIES TO BE COMPLIANT AND COMPATIBLE WITH EUROPEAN UNION DIRECTIVE 2011/65/EC (RoHS2) & REGULATION (EC)1907/2006 (REACH) REQUIREMENTS			
THIRD ANGLE PROJECTION			
APPROVALS	DATE	 TITLE <b>CATALOG SHEET, 429</b> <b>DIAPHRAGM VALVE STANDARD MODEL</b>	
DRAWN	1-21-13		
APPROVED			
CHECKED		SIZE	DWG. NO.
		C	1077619
		SCALE	1:4
			REV P
			SHEET 1 OF 2

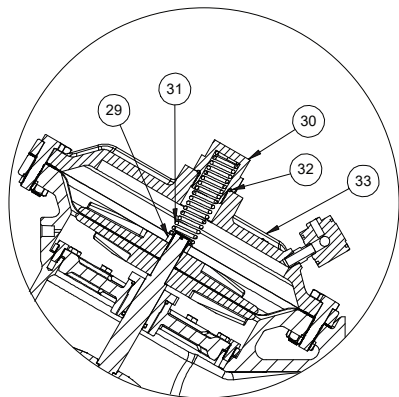
DO NOT SCALE DRAWING. DIMS. ARE IN INCHES (mm)  
 INTERPRET DIMS AND TOLERANCES PER ASME Y14.5M - 2009  
 UNLESS OTHERWISE SPECIFIED:  
 ALL FINISHED MACHINED SURFACES 125 ✓ OR BETTER:  
 TOLERANCES:  
 ANGLES: ± 1°  
 1 PLACE .X: ± 0.15 (0.38)  
 2 PLACE .XX: ± 0.1 (0.3)  
 3 PLACE .XXX: ± 0.05 (0.13)



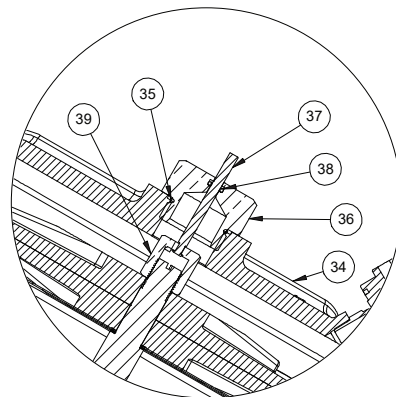
1073184 (V42L-3010-00000)  
LIMIT STOP



1073187 (V42L-3030-00000)  
NORMALLY CLOSED



4500139 (V42L-3002-00000)  
SPRING ASSIST CLOSED

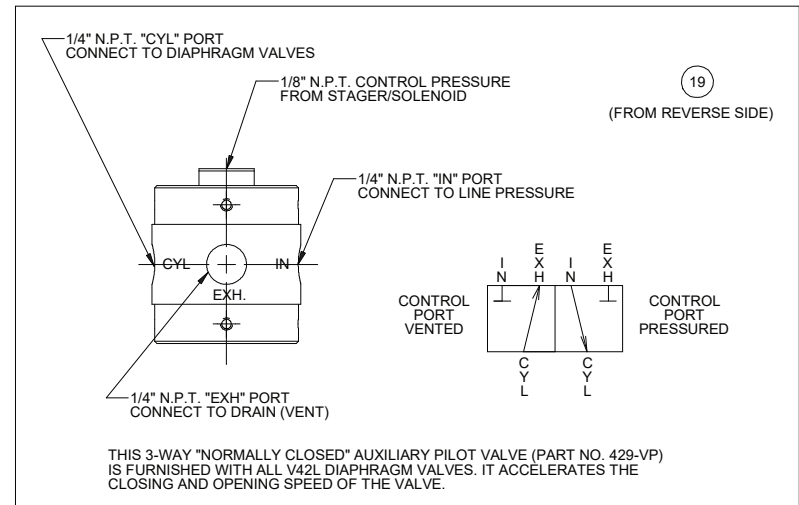


1082048 (V42L-3020-00000)  
POSITION INDICATOR

ITEM NO.	DESCRIPTION	STD	PART NUMBER	QTY.
LIMIT STOP MODEL				
23	SCREW, HEX HD CAP, 5/8-18X4.5"	*	1074660 (429-U)	1
24	O-RING, 2-112, NITRILE	*	1071690 (ORB-112)	1
25	NUT, LIMIT STOP	*	1074434 (426-U)	1
26	CAP, 429	*	1074617	1
NORMALLY CLOSED MODEL				
27	SHAFT, 429, NC	*	1074637 (429-L-L)	1
28	MALE PIPE PLUG, 1/4 NPT	*	1071918 (PL Z-0008)	1
SPRING ASSIST CLOSED MODEL				
29	NUT, SPRING RETAINER	*	1074663	1
30	NUT, SPRING RETAINER, 429, BRASS	*	1074659	1
31	SPRING, COMPRESSION	*	1074657 (429-SS)	1
32	O-RING (NITRILE), 2-222	*	1079839	1
33	CAP, 429	*	1074616	1
POSITION INDICATOR MODEL				
34	CAP, 429	*	1074618	1
35	O-RING, 2-128, NITRILE	*	1071694	1
36	GUIDE, SHAFT, 429, BRASS	*	1074624	1
37	SHAFT, 429, SS, MACH	*	1074649	1
38	O-RING, 2-106, NITRILE, TFLN CTD	*	1071688 (ORB-108TC)	1
39	NUT, 429, BRASS	*	1074658	1

SEE REVERSE SIDE FOR  
STANDARD MODEL NORMALLY OPEN MODEL

- NOTE
1. SPRING ASSIST CLOSED MODEL CANNOT BE COMBINED WITH LIMIT STOP OR POSITION INDICATOR.
  2. SPRING ASSIST OPEN MODEL AVAILABLE.



THIS 3-WAY "NORMALLY CLOSED" AUXILIARY PILOT VALVE (PART NO. 429-VP) IS FURNISHED WITH ALL V42L DIAPHRAGM VALVES. IT ACCELERATES THE CLOSING AND OPENING SPEED OF THE VALVE.

CONVERSION KITS	
DESCRIPTION	PART NO.
CONVERSION KIT (LIMIT STOP) CONSISTS OF STANDARD ITEM NO'S 23 THRU 26	1074639 (429-LSC)
CONVERSION KIT (SPRING ASSIST CLOSED) CONSISTS OF STANDARD ITEM NO'S 29 THRU 33	1074656 (429-SCC)
CONVERSION KIT (POSITION INDICATOR) CONSISTS OF STANDARD ITEM NO'S 34 THRU 39	1074648 (429-PIC)

REPAIR PARTS KITS	
DESCRIPTION	PARTS NO.
INT. PARTS KIT (LIMIT STOP) CONSISTS OF STANDARD ITEM NO'S 23, 24, 25	1074638 (429-LS)
INT. PARTS KIT (NORM. CLOSED) CONSISTS OF STANDARD ITEM NO'S 4(12), 6, 7, 9, 12, 15(2), 21, 27	1074654 (429-RG)
INT. PARTS KIT (SPRING ASSIST CLOSED) CONSISTS OF STANDARD ITEM NO'S 29, 31, 32	1074655 (429-SC)
INT. PARTS KIT (POSITION INDICATOR) CONSISTS OF STANDARD ITEM NO'S 35 THRU 39	1074647 (429-PI)

COMPONENTS / ASSEMBLIES TO BE COMPLIANT AND COMPATIBLE WITH EUROPEAN UNION DIRECTIVE 2011/65/EC (RoHS2) & REGULATION (EC) 1907/2006 (REACH) REQUIREMENTS				
THIRD ANGLE PROJECTION		APPROVALS	DATE	 TITLE <b>CATALOG SHEET, 429 DIAPHRAGM VALVE STANDARD MODEL</b>
DRAWN	NE	1-21-13	SIZE	
APPROVED			DWG. NO.	
CHECKED			SCALE	
<small>DO NOT SCALE DRAWING. DIMS. ARE IN INCHES (mm)            INTERPRET DIMS AND TOLERANCES PER ASME Y14.5M - 2009            UNLESS OTHERWISE SPECIFIED.            ALL FINISHED MACHINED SURFACES 125 ✓ OR BETTER.            TOLERANCES:            ANGLES: ± 1°            1 PLACE XX: ± 0.015 (0.38)            2 PLACE XX: ± 0.01 (0.3)            3 PLACE XXX: ± 0.005 (0.13)</small>				SCALE <b>C</b> DWG. NO. <b>1077619</b> REV <b>P</b>
			SCALE	1:4
				SHEET 2 OF 2